

A tensile fabric hexagonal coned gazebo with a tubular steel frame

Fareham



- Wide range of fabric colours available
- Fully adaptable including custom designs
- Warranted for ten years under tension
- ArcCan installation teams operate Worldwide

Like the square coned Fontwell, the hexagonal Fareham gazebo is a very popular structure. The tubular steel framework has six rafter spars supporting a patterned tensile fabric cone with six graceful scalloped edges. Fully engineered to withstand the worst weather imaginable, the Fareham is both practical and stylish and can be found in school playgrounds as well as country houses. Canopy sizes up to 63 square metres.

Specifications

Fareham

A tensile fabric hexagonal coned gazebo with a tubular steel frame



Framework

Heavyweight grade tubular steel legs with CHS rafter spars side struts, all zinc and powder coated to RAL colour of choice, all fixings either A2/A4 stainless or galvanised steel.

Fabric

Architectural PVC coated polyester fabric, patterned and welded to form a shaped cone with H/D boundary webbing tensioned with a large central S/S threaded push-up.

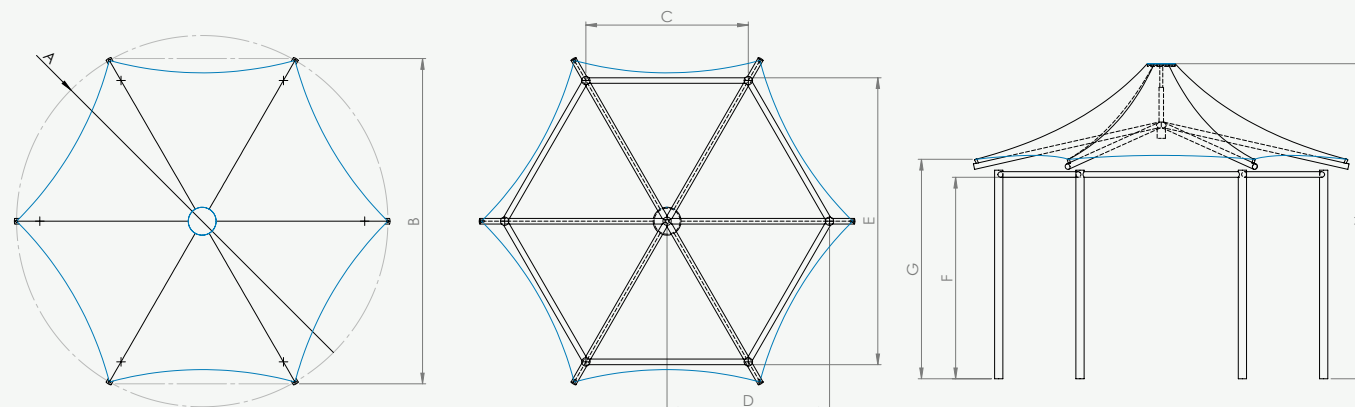
Foundations

We provide loading figures for your engineer to design foundations to suit local ground conditions. Typical details available on request.

Files

Files

3D CAD models are available on request.



CODE	FAR40	FAR50	FAR60	FAR70	FAR80	FAR90
A	4	5	6	7	8	9
B	3.6	4.4	5.3	6.2	7	7.9
C	1.5	2	2.5	3	3.5	4
D	1.5	2	2.5	3	3.5	4
E	2.7	3.5	4.4	5.3	6.1	7
F	2.2	2.2	2.2	2.2	2.2	2.2
G	2.3	2.3	2.3	2.3	2.3	2.4
H	3.2	3.5	3.7	3.9	4.1	4.4

All measurements in metres and are approximate.