

A tensile fabric freestanding single pitch canopy with built-in gutter

Amesbury



- Wide range of fabric colours available
- Fully adaptable including custom designs
- Warranted for ten years under tension
- ArcCan installation teams operate Worldwide

The Amesbury is a modular single pitch canopy with tensile fabric panels. Fabricated from square hollow section welded steel tube it is a freestanding structure ideal as an entrance canopy or when extended by adding units, it creates a walkway. The structure has a built-in gutter and rainwater is directed down one or both of the lower columns. Engineered to withstand heavy rain, wind & snow, the units are available in a range of lengths & depths that allow flexibility of design.

Specifications

Amesbury

A tensile fabric freestanding single pitch canopy with built-in gutter



Framework

Heavyweight grade square section steel legs and struts with SHS rafter spars, all galvanised and powder coated to RAL colour of choice, all fixings either A2/A4 stainless or galvanised steel.

Fabric

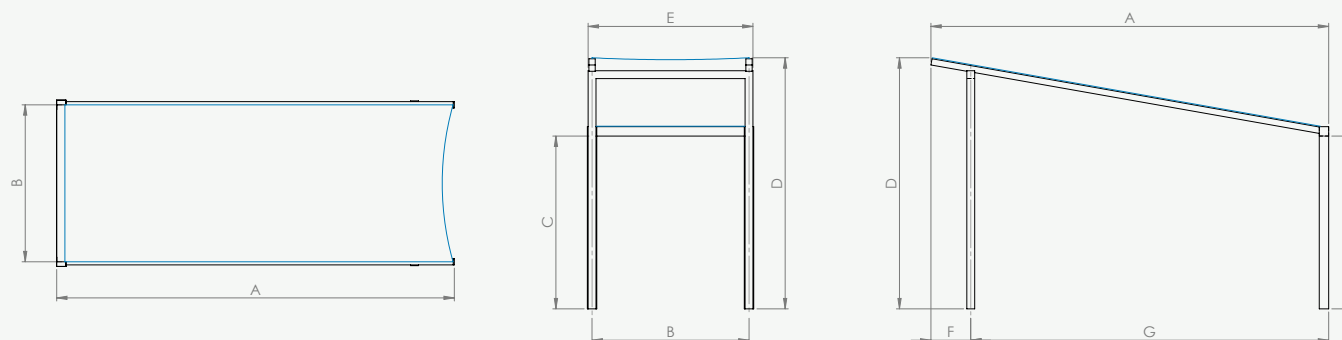
Architectural PVC coated polyester fabric fabricated into panels with keder edges attached on top of the spars and the rear cross-member with aluminium extruded luff-tracks and tensioned with membrane plates and boundary cables.

Foundations

We provide loading figures for your engineer to design foundations to suit local ground conditions. Typical details available on request.

Files

3D CAD models are available on request.



CODE	AME20	AME25	AME30	AME35	AME40	AME45	AME50
A	2	2.5	3	3.5	4	4.5	5
B	2-5	2-5	2-5	2-5	2-5	2-5	2-5
C	2.2	2.2	2.2	2.2	2.2	2.2	2.2
D	2.7	2.7	2.8	2.9	3	3.1	3.2
E	2.1 - 5.1	2.1 - 5.1	2.1 - 5.1	2.1 - 5.1	2.1 - 5.1	2.1 - 5.1	2.1 - 5.1

All measurements in metres and are approximate.